

C500 CYLINDRICAL LEVERSET

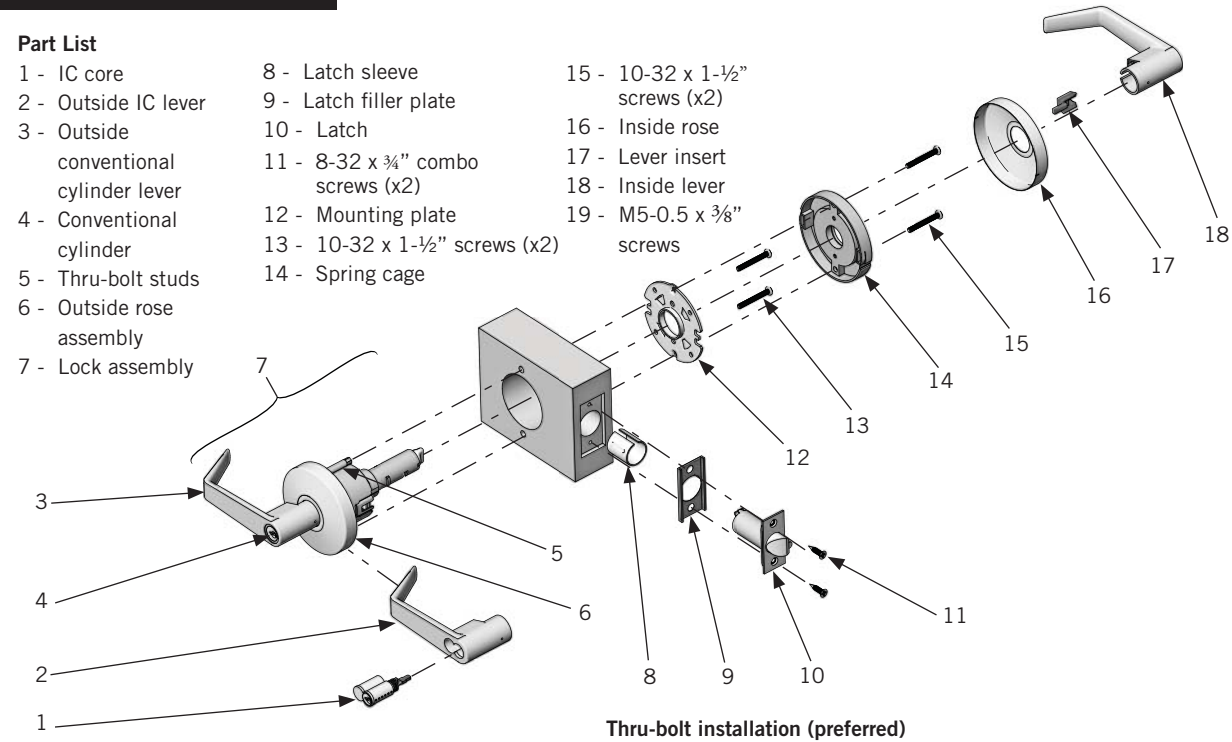
Installation Instructions



Overall Exploded View

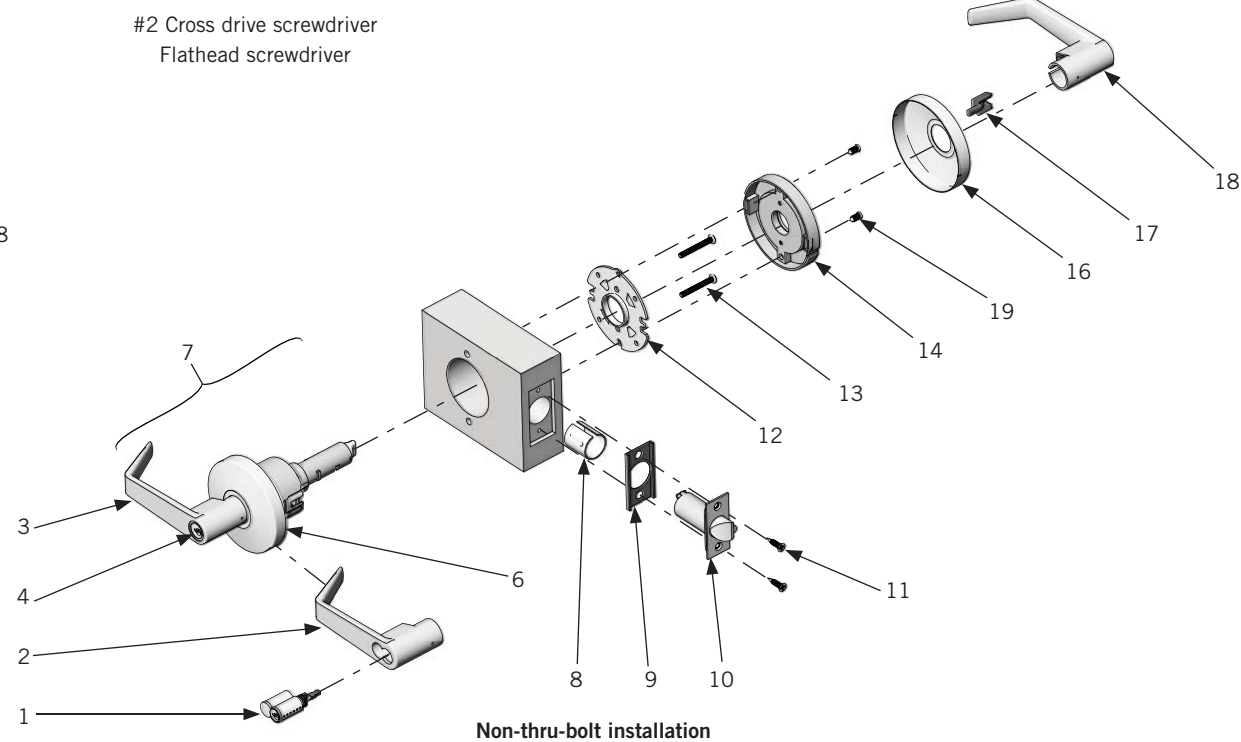
Part List

- | | | |
|---|------------------------------------|---------------------------------|
| 1 - IC core | 8 - Latch sleeve | 15 - 10-32 x 1-1/2" screws (x2) |
| 2 - Outside IC lever | 9 - Latch filler plate | 16 - Inside rose |
| 3 - Outside conventional cylinder lever | 10 - Latch | 17 - Lever insert |
| 4 - Conventional cylinder | 11 - 8-32 x 3/4" combo screws (x2) | 18 - Inside lever |
| 5 - Thru-bolt studs | 12 - Mounting plate | 19 - M5-0.5 x 3/8" screws |
| 6 - Outside rose assembly | 13 - 10-32 x 1-1/2" screws (x2) | |
| 7 - Lock assembly | 14 - Spring cage | |



Tools required for installation

- #2 Cross drive screwdriver
- Flathead screwdriver



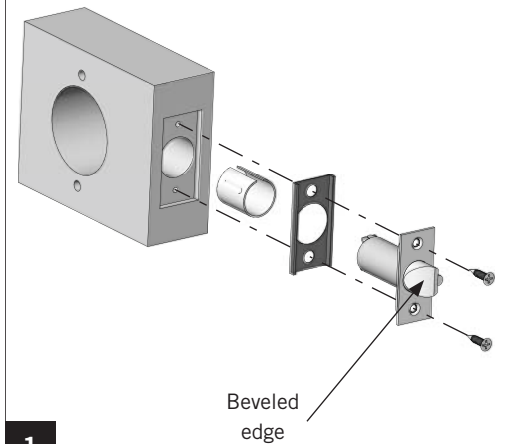
1. Install latch

1.1 Place the latch into the door edge.

⚠ Orient such that the beveled edge of the latch faces the door jamb.

1.2 Secure with two 8-32 x 3/4" combo screws.

NOTE: Latch filler to be used for doors with 1-1/8" face plate prep and 1" latch bore.



1

2. Install lock assembly

Adjust for door thickness

NOTE: Lock comes adjusted for 1-3/4" door from the factory.

2.1 To adjust the lock assembly for door thickness, align the center of the chassis with the center of the latch.

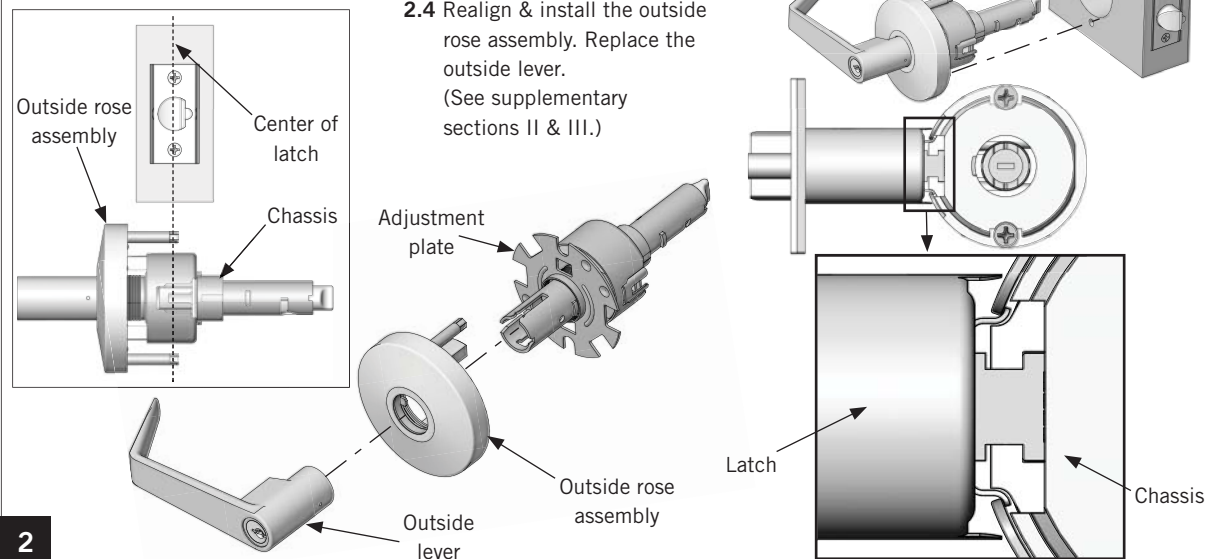
2.2 Remove the outside lever and separate the outside rose assembly from the adjustment plate.

2.3 Rotate the adjustment plate to adjust for proper door thickness.

2.4 Realign & install the outside rose assembly. Replace the outside lever. (See supplementary sections II & III.)

2.5 Slide the lock assembly into the face of the door.

⚠ Be sure to engage the inner latch mechanism of the chassis with the back of the latch as shown.



2

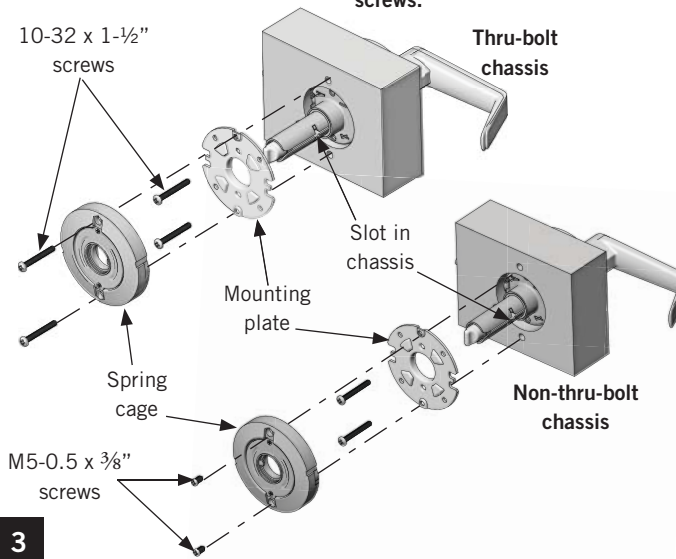
3. Install mounting plate & spring cage

3.1 Hold the lock assembly in place.

3.2 Place the mounting plate against the door and secure with two 10-32 x 1-1/2" screws.

3.3 Place the spring cage assembly onto the mounting plate and secure to the door using two 10-32 x 1-1/2" screws.

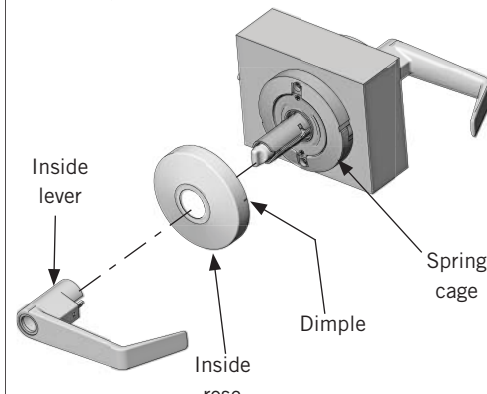
NOTE: If installing a non-thru-bolt chassis, secure the spring cage using two M5-0.5x3/8" screws.



3

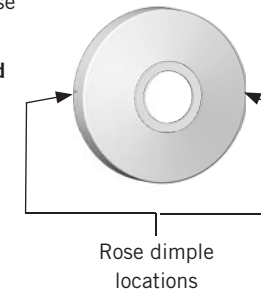
4. Install rose & inside lever

4.1 Push the inside rose onto the spring cage oriented such that the rose dimples are on the sides.



NOTE: Be sure the lever insert is inserted into the inside lever prior to installation.

4.2 Push the inside lever onto the spindle until it clicks into place.



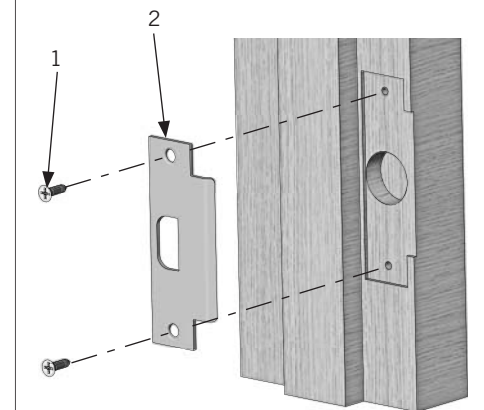
4

5. Install strike

5.1 Insert strike as shown, and secure with two 12-24 x 3/4" combo screws.

Strike part list

- 1 - 12-24 x 3/4" combo-screws
- 2 - Strike plate



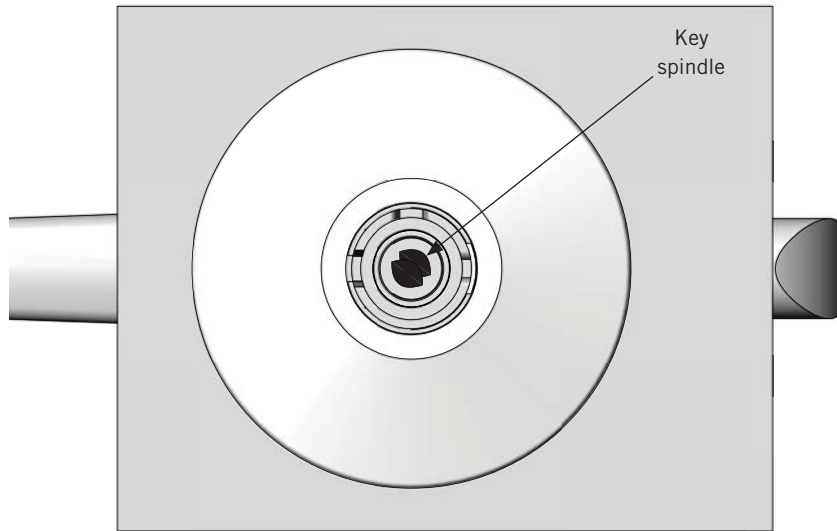
5

I. C570 - Classroom function

TIMING INSTRUCTIONS: Install lock on door. Remove outside lever and cylinder (for Interchangeable Core locks, leave lever in place and remove core and tail piece)

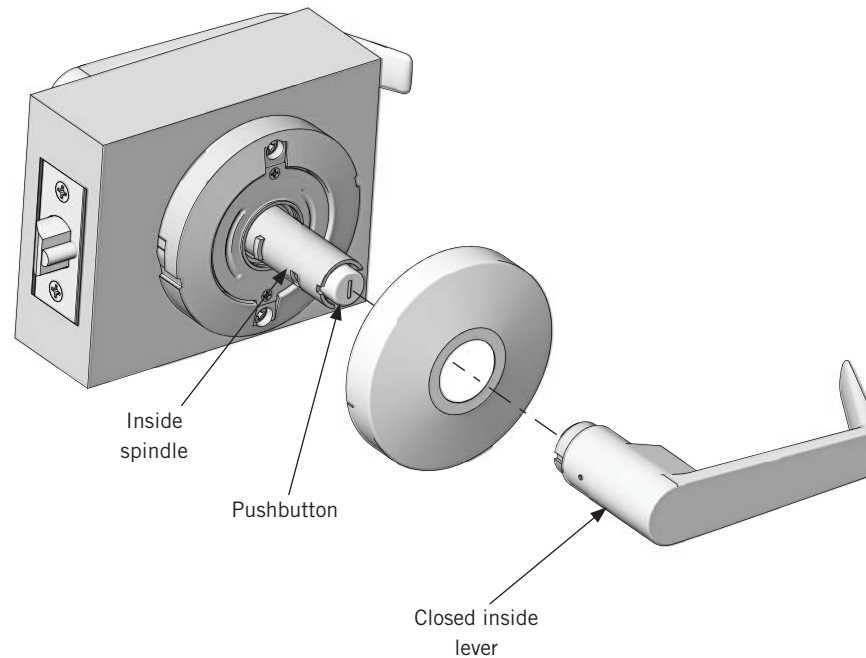
OUTSIDE OF DOOR:

Rotate key spindle fully **counter-clockwise**. Install cylinder and lever. (See steps 4 & 5 in section IV.)



II. C580 - Storeroom function

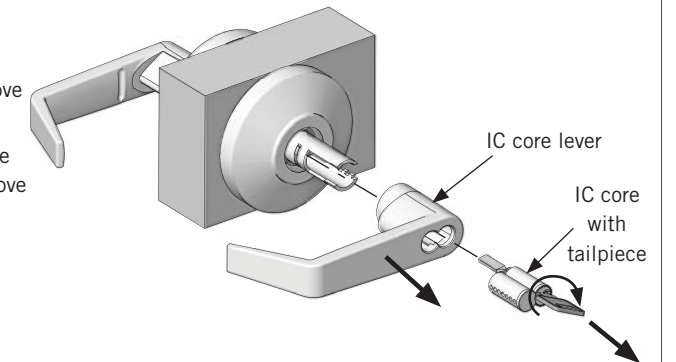
NOTE: Storeroom function has a pushbutton on the inside spindle. A closed lever is used for the inside to hold the button in a locked position.



III. Removing & reassembling interchangeable core lever

Removal

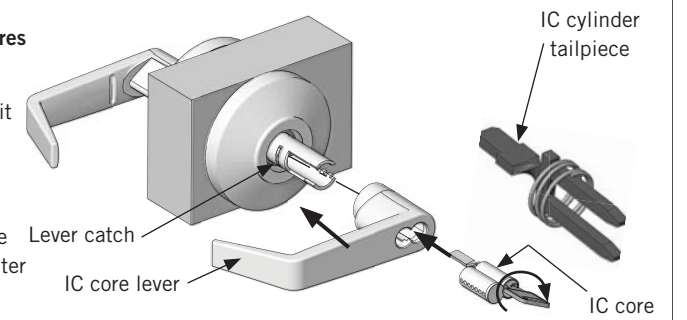
1. Insert the control key into the IC core, rotate the key 15° clockwise, and remove the core and tail piece from the lever.
2. Using a flathead screwdriver, retract the lever catch inside the spindle and remove the lever.



Reinstallation

NOTE: REMOVE the spring from the IC cylinder tailpiece for 7 pin cores ONLY.

3. Press the lever onto the spindle until it snaps into place.
4. Install the tail piece on the core. Insert the control key into the core, rotate the key 15° clockwise, push the core fully into the lever and turn counter clockwise 15° (home position), and remove the key.



IV. Removing & reassembling standard cylinder lever (cylinder changes)

Removal

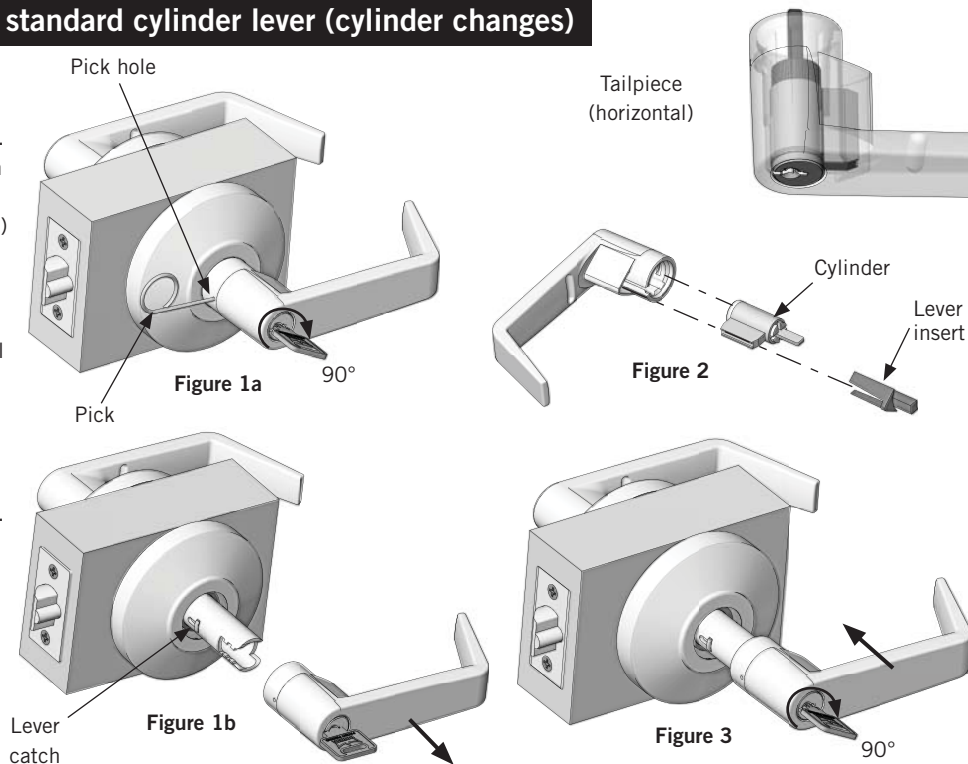
1. Remove the outside lever by inserting the key, turn clockwise and **hold** at 90°. Using the pick, depress the lever catch through the pick hole and remove the lever. Remove the key. (Figure 1a & 1b)
2. Remove the lever insert and cylinder. (Figure 2)

Reinstallation

3. Replace with new cylinder and reinstall the lever insert. (Figure 2)

⚠ Be sure the tailpiece is horizontal.

4. Press the outside lever onto the spindle until it contacts the lever catch. (Figure 3)
5. Insert the key into the cylinder, turn clockwise and **hold** at 90°. Press the lever fully onto the spindle until it clicks into place. Release the key. (Figure 3)



V. C501 Dummy trim installation

1. Remove the temporary screw from the back of the dummy spring cage and separate the lever.
2. Separate the rose and the dummy spring cage.
3. Secure the dummy spring cage to the door using the two combo screws.
4. Press the rose onto the dummy spring cage and rotate to lock the rose in place.

NOTE: Be sure the rose notches are properly in line with the spring cage notches.

5. Install the washer (beveled side out) onto the 1/4-20x2-1/2" screw and secure the lever through the opposite side of the door.

